



## Application

For outdoor or room temperature measurements. The 850DS Digital sensor can be applied as an outdoor and room sensor. The sensor is supplied with a robust housing which is easy to install and designed to be exposed to outdoor influences.

The digital sensor transmits the measured temperature via AL-Bus to the other modules. This makes it possible using only one outdoor sensor for multiple appliances or an entire building. Because the sensor value is transmitted digitally to the controls the cable length is not critical. A long cable does not affect the accuracy or will not pick up external disturbances.

## Features

- Can be connected to AL-Bus
- Cable length does not affect measurement
- Not sensitive for external disturbances

## General

|              |           |  |
|--------------|-----------|--|
| Power Supply |           | Via AL-Bus                                   |
| Protection   |           | IP44   |
| Dimensions   | l x w x h | 92 x 48 x 30 mm                              |
| Weight       |           | 45 gram / 1,59 oz.                           |
| Connections  |           | See connection diagram                       |
| Housing      | Material  | ABS  |
|              | Color     | Cold Grey 4C                                 |
| Position     |           | According to complementary instruction sheet |

## Application scheme

The digital sensor transmits the measured temperature via the AL-Bus to other modules of your system, like a burner control or user interface.



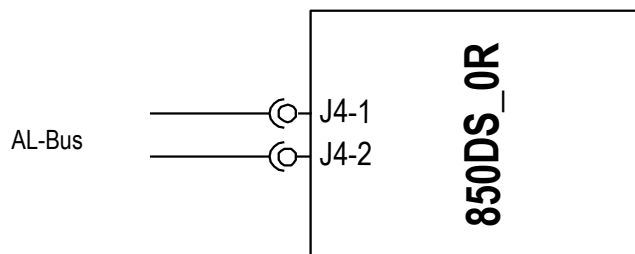
### Indoor:

Used as room temperature sensor, can be installed at any location in the house/building.

### Outdoor:

Used as outdoor temperature sensor, not sensitive for exposure to extreme outdoor influences or long cable length.

## Connection Diagram

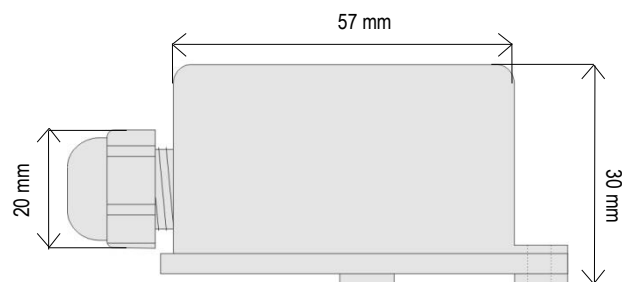
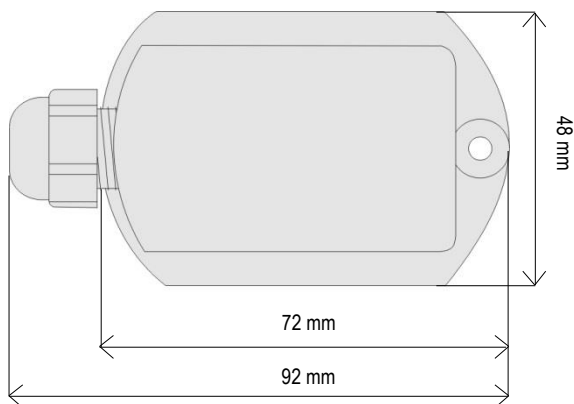


## Connectors

| Connector |   |
|-----------|---|
| J4        | 2-pole screw terminal block, 5 mm spacing |

## Inputs

| Sensors            |                 |
|--------------------|-----------------|
| Temperature sensor | NTC 10k @ 25°C. |

**Dimensions housing****Optional module**

Optional to enhance your system operation is the 850CB connection board.

With this board multiple appliances can be used with just one digital sensor without setting any controller addresses.

**850CB**

Connection board with housing